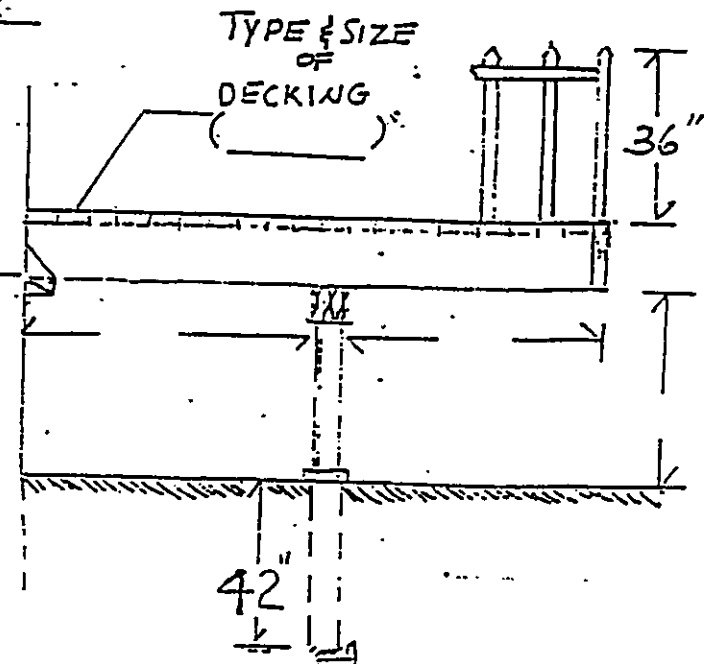
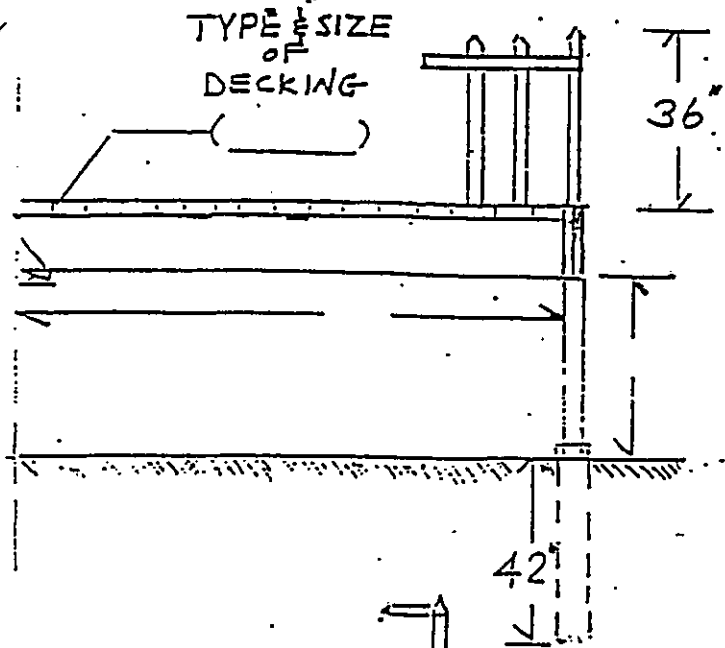
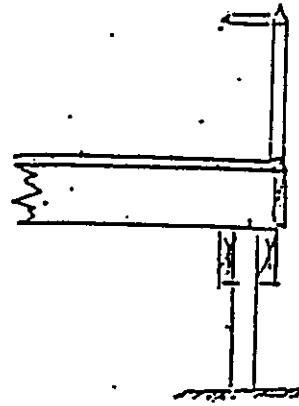


# DECK PLAN

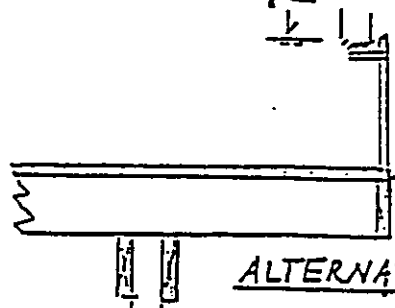


- HOUSE WALL SUPPORT
- JOIST HANGERS
- LEDGER BOARD
- (CHECK ONE)

LENGTH \_\_\_\_\_  
WIDTH \_\_\_\_\_



ALTERNATE END SUPPORT



ALTERNATE CANTILEVER SUPPORT

DECK SUPPORT POSTS  
4" X 4" MIN.

INDICATE PLACEMENT

BEAM SIZE  
( \_\_\_\_\_ )

DECK JOIST SIZE  
( \_\_\_\_\_ )

JOIST SPACING  
( \_\_\_\_\_ )

