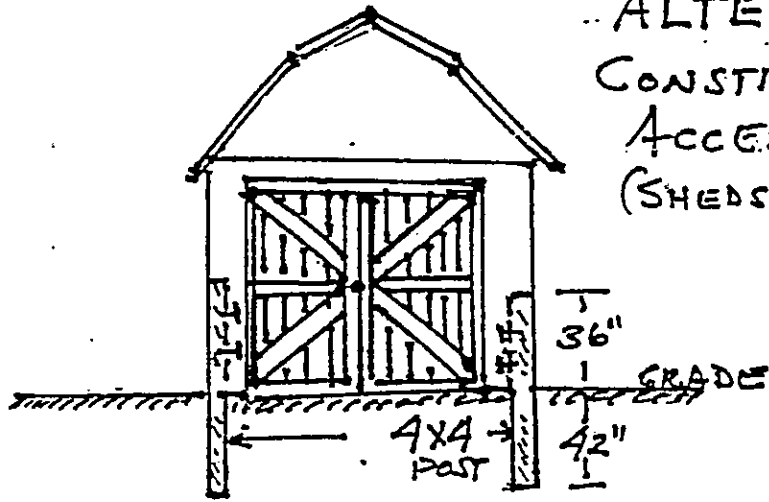
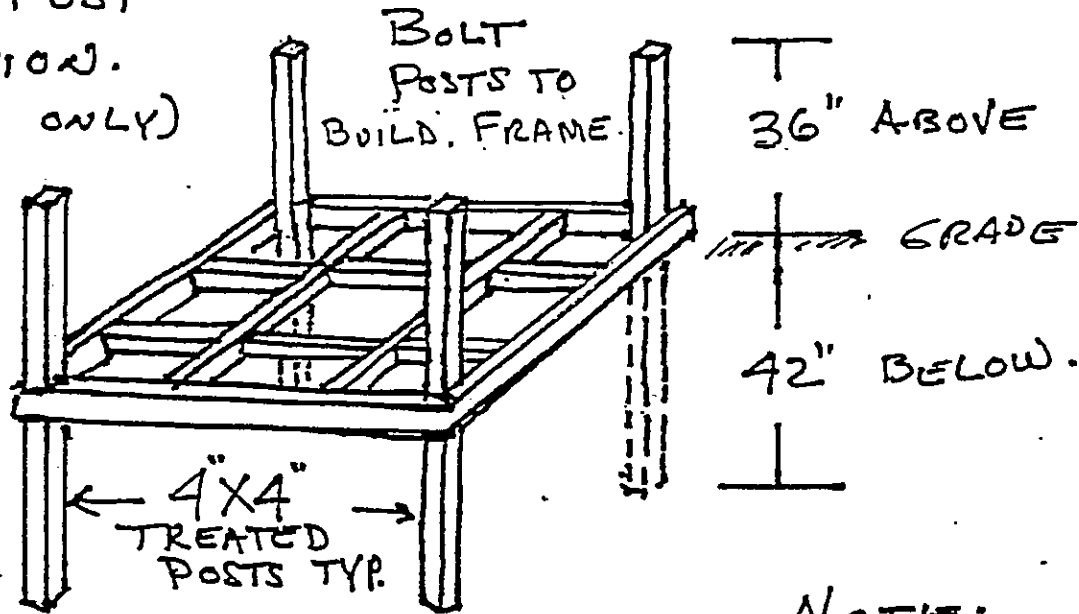


ALTERNATE FOUNDATION
CONSTRUCTION FOR
ACCESSORY BUILDINGS.
(SHEDS, DET. GARAGES, ETC.)



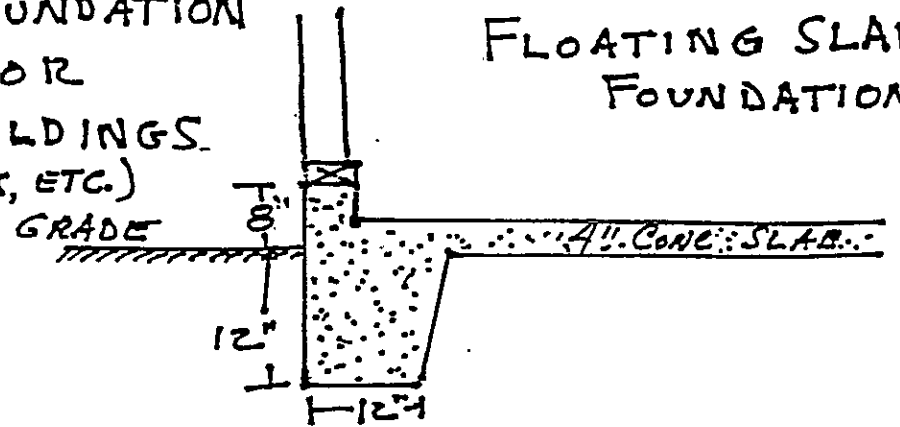
BOLTED POST
FOUNDATION.

(SMALL SHEDS ONLY)



NOTE:
Sheds Cannot Exceed
160 Sq. Feet.

FLOATING SLAB
FOUNDATION



NOTE:
METAL TIE-DOWN
METHODS (w/ GUY-WIRES
AND/OR ANCHORS) MAY
BE ACCEPTABLE WITH
APPROVAL.